

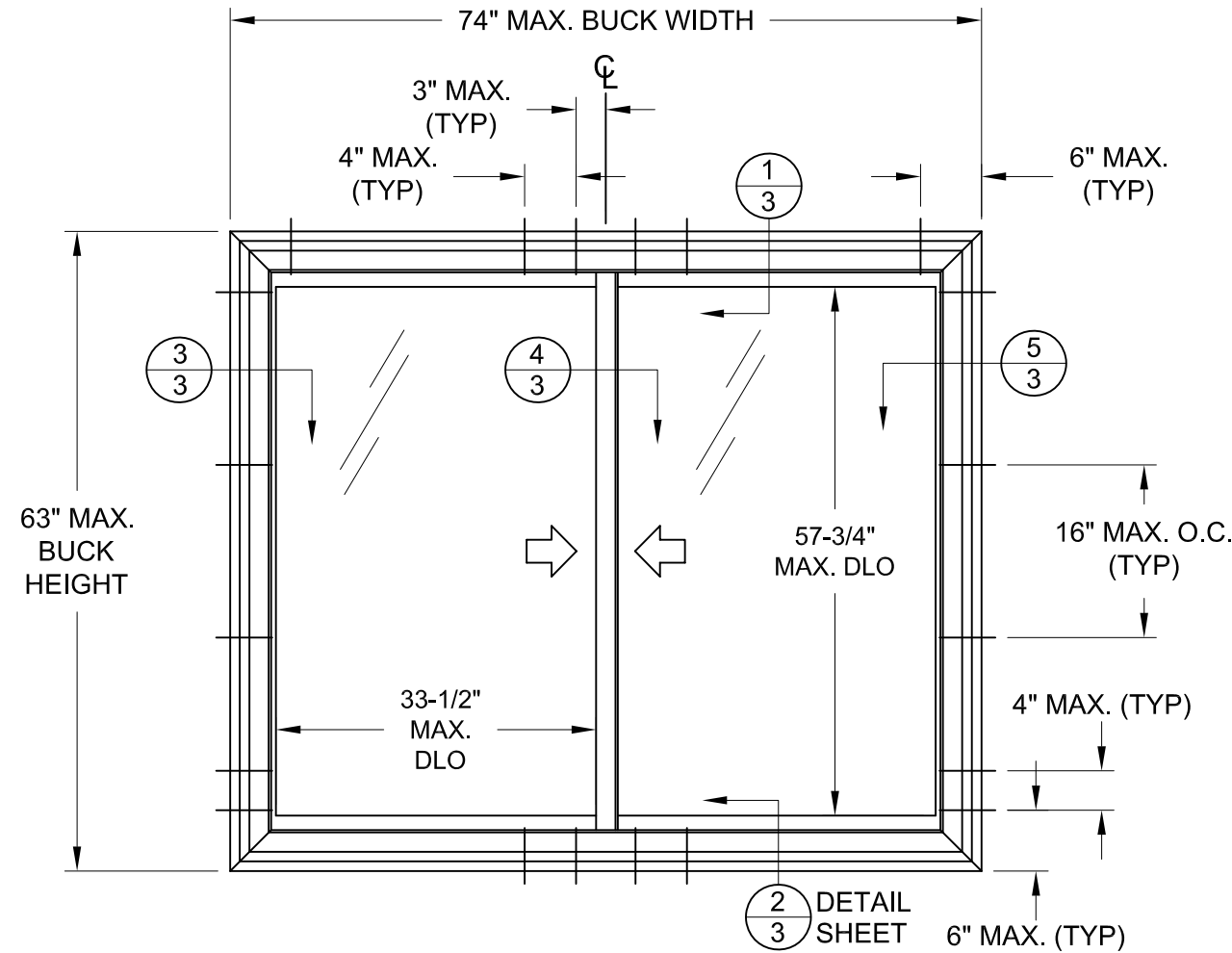


**SERIES 8000, MODEL 8500 (XX) &  
SERIES 8000, MODEL 8500-3 (XOX)  
HORIZONTAL ROLLER WINDOW,  
NON-IMPACT RESISTANT,  
EQUAL-LEG FRAME**

FLORIDA PRODUCT APPROVAL #39124

DP RATING SEE TABLES 1 & 2	NOT RATED FOR MISSILE IMPACT RESISTANCE
-------------------------------	---

- 1) THIS PRODUCT HAS BEEN DESIGNED & TESTED TO COMPLY WITH THE REQUIREMENTS OF THE FLORIDA BUILDING CODE, EXCLUDING THE HIGH VELOCITY HURRICANE ZONE (HVHZ).
- 2) SHUTTERS ARE REQUIRED WHEN USED IN WIND-BORNE DEBRIS REGIONS.
- 3) MASONRY ANCHORS MAY BE USED INTO WOOD. ALL WOOD BUCKS LESS THAN 1-1/2" THICK ARE TO BE CONSIDERED 1X INSTALLATIONS. 1X WOOD BUCKS ARE OPTIONAL IF UNIT IS INSTALLED DIRECTLY TO SUBSTRATE. WOOD BUCKS DEPICTED AS 2X ARE 1-1/2" THICK OR GREATER.
- 4) ANCHOR EMBEDMENT TO BASE MATERIAL SHALL BE BEYOND WALL DRESSING OR STUCCO. USE ANCHORS OF SUFFICIENT LENGTH.
- 5) MAX. 1/4" SHIMS ARE REQUIRED AT EACH ANCHOR LOCATION WHERE THE PRODUCT IS NOT FLUSH TO THE SUBSTRATE. USE SHIMS CAPABLE OF TRANSFERRING APPLIED LOADS.
- 6) THE ANCHORAGE METHODS SHOWN HAVE BEEN DESIGNED TO RESIST THE WIND LOADS CORRESPONDING TO THE REQUIRED DESIGN PRESSURE. THE 33-1/3% STRESS INCREASE HAS NOT BEEN USED IN THE DESIGN OF THIS PRODUCT. THE 1.6 LOAD DURATION FACTOR WAS USED FOR THE EVALUATION OF ANCHORS INTO WOOD. ANCHORS THAT COME INTO CONTACT WITH OTHER DISSIMILAR MATERIALS SHALL MEET THE REQUIREMENTS OF THE FLORIDA BUILDING CODE FOR CORROSION RESISTANCE.



**TYP. ANCHOR LOCATIONS  
(XX CONFIGURATION)**

TABLE 1: DESIGN PRESSURES

Buck Width	Buck Height	Configuration	Glass Type	Design Pressure	
				(+) psf	(-) psf
74"	63"	XX	1	35.0	35.0
		XX	2	45.0	45.0

- 1) FOR SIZES NOT SHOWN, ROUND UP TO THE NEXT AVAILABLE WIDTH OR HEIGHT DIMENSION.
- 2) FOR GLASS DESCRIPTIONS, SEE SHEET 5.
- 3) BUCK DIMENSIONS SHOWN.

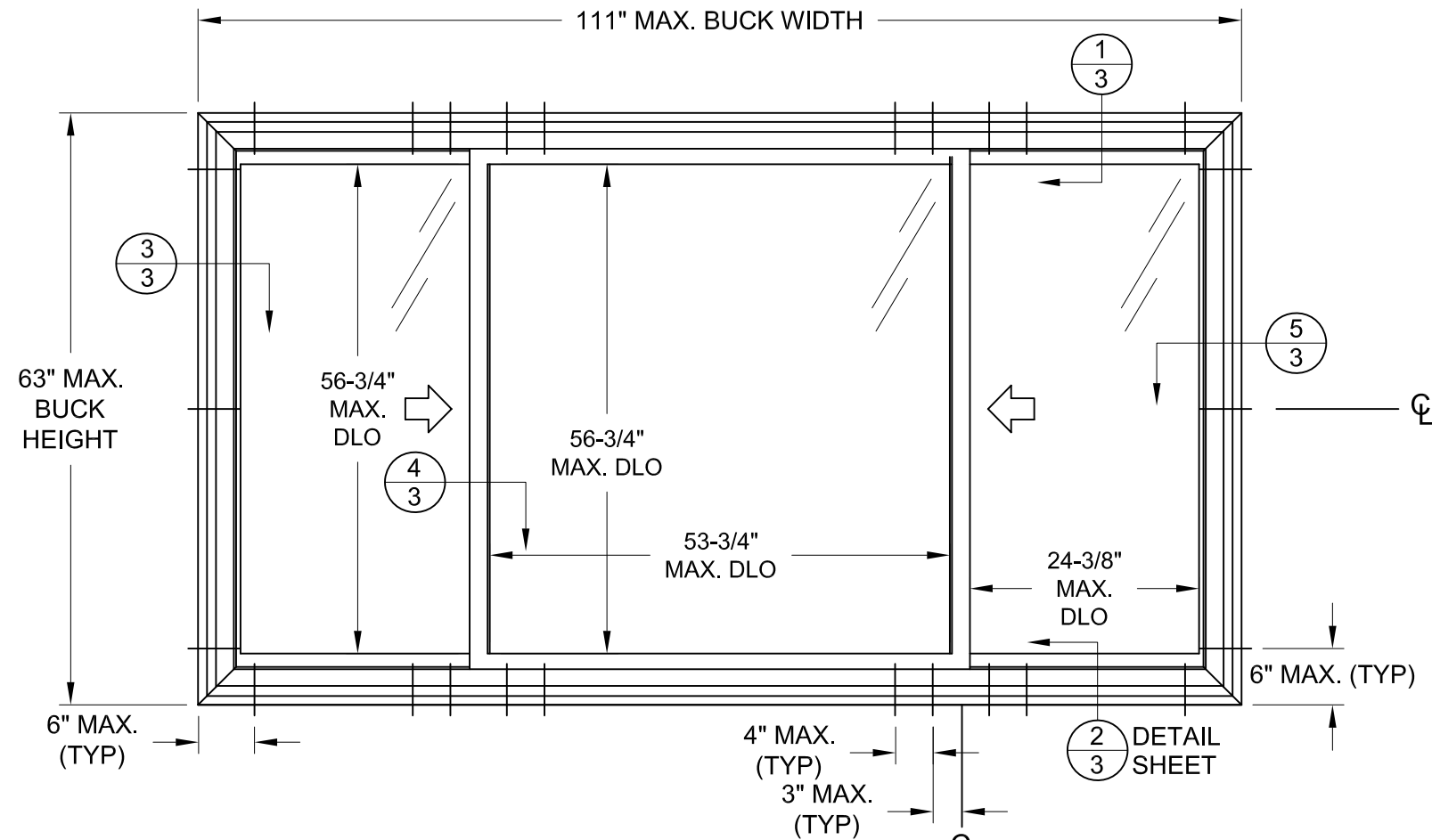


A. LYNN MILLER, P.E., P.E.# 58705

REGISTRATION #29296	COPYRIGHT © 2021 NEWSOUTH WINDOW SOLUTIONS LIMITED LICENSE TO MAKE COPIES FOR PERMITTING	8000 SERIES HORIZ. ROLLER MODELS 8500 & 8500-3, NI	GENERAL NOTES, XX DESIGN PRESSURES & ANCHOR ELEVATION	NEWSOUTH WINDOW SOLUTIONS 10741 CROSSROADS COMMERCE BLVD. TAMPA, FL 33610
PREPARED BY: A. LYNN MILLER, P.E. 1070 TECHNOLOGY DR N. VENICE, FL 34275 (941)-480-1600	BY: SB	REVISION: CORRECT SERIES IN TITLE BLOCK, ADD 995 SILICONE	DATE: 8/16/23	#: 1
DATE: 12/16/2022				
SCALE: NTS				
BY: LOGAN YODER				
DRAWING #: HR8000-FPA-NI				
SHEET: 1 OF 5				



A. LYNN MILLER, P.E., P.E.# 58705



TYP. ANCHOR LOCATIONS  
(XOX CONFIGURATION)  
(1/4 - 1/2 - 1/4 CONFIGURATION SHOWN)

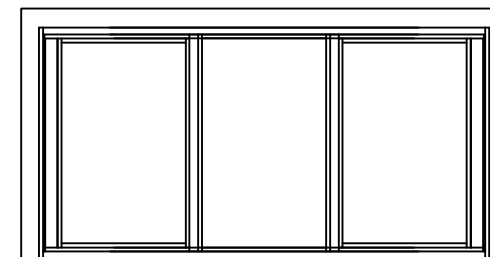
TABLE 2: DESIGN PRESSURES

Buck Width	Buck Height	Configuration	Glass Type	Design Pressure	
				(+) psf	(-) psf
111"	63"	XOX	1	30.0	35.0

1) FOR SIZES NOT SHOWN, ROUND UP TO THE NEXT AVAILABLE WIDTH OR HEIGHT DIMENSION.

2) FOR GLASS DESCRIPTIONS, SEE SHEET 5.

3) BUCK DIMENSIONS SHOWN.



WINDOW MAY BE A 1/4 - 1/2 - 1/4 CONFIGURATION OR 1/3 - 1/3 - 1/3 CONFIGURATION PROVIDED DLO (DAYLITE OPENING) SIZES ARE NOT EXCEEDED.

REGISTRATION #29296

COPYRIGHT © 2021  
NEWSOUTH WINDOW SOLUTIONS  
LIMITED LICENSE TO MAKE  
COPIES FOR PERMITTING

PREPARED BY: A. LYNN MILLER, P.E.  
1070 TECHNOLOGY DR  
N. VENICE, FL 34275  
(941)-480-1600

BY: SB

8000 SERIES HORIZ. ROLLER  
MODELS 8500 & 8500-3, NI

GENERAL NOTES, XOX DESIGN  
PRESSURES & ANCHOR ELEVATION

NEWSOUTH WINDOW SOLUTIONS  
10741 CROSSROADS COMMERCE BLVD.  
TAMPA, FL 33610

REVISION:

SB

CORRECT SERIES IN TITLE BLOCK,  
ADD 995 SILICONE

DATE:

8/16/23

#:

1

DATE: 12/16/2022

SCALE: NTS

BY: LOGAN YODER

DRAWING #:

HR8000-FPA-NI

SHEET: 2 OF 5

TABLE 3: INSTALLATION ANCHORS

Anchor	Substrate	Minimum Edge Distance	Minimum Embedment
#10 or #12 Steel or 410 SS Screw	Southern Pine (SG = .55)	9/16"	1"
	Aluminum, 6063-T5 min.	5/16"	0.045 (18 Ga)
	Steel Stud, Gr. 33 min.	5/16"	0.035" (20 Ga)
	A36 Steel	5/16"	0.035" (20 Ga)
3/16" Steel Ultracon+	Concrete (min. 2.9 ksi)	1"	1-3/8"
	UngROUTED CMU, (ASTM C-90)	1"	1-1/4"
	Southern Pine (SG = .55)	1/2"	1"
1/4" Steel Ultracon+	Concrete (min. 3.0 ksi)	1"	1"
	UngROUTED CMU, (ASTM C-90)	1"	1-1/4"
	Southern Pine (SG = .55)	1"	1"

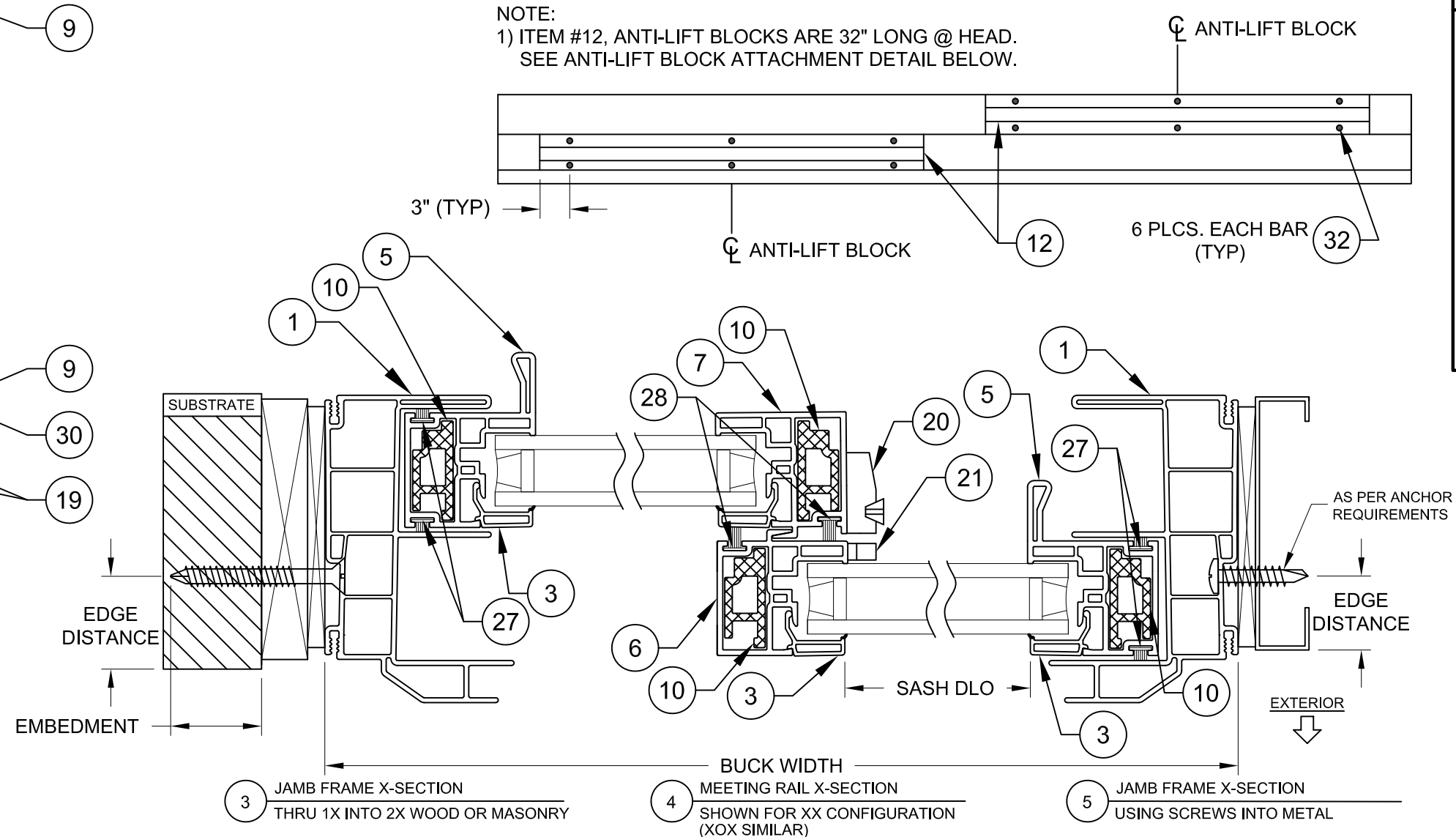
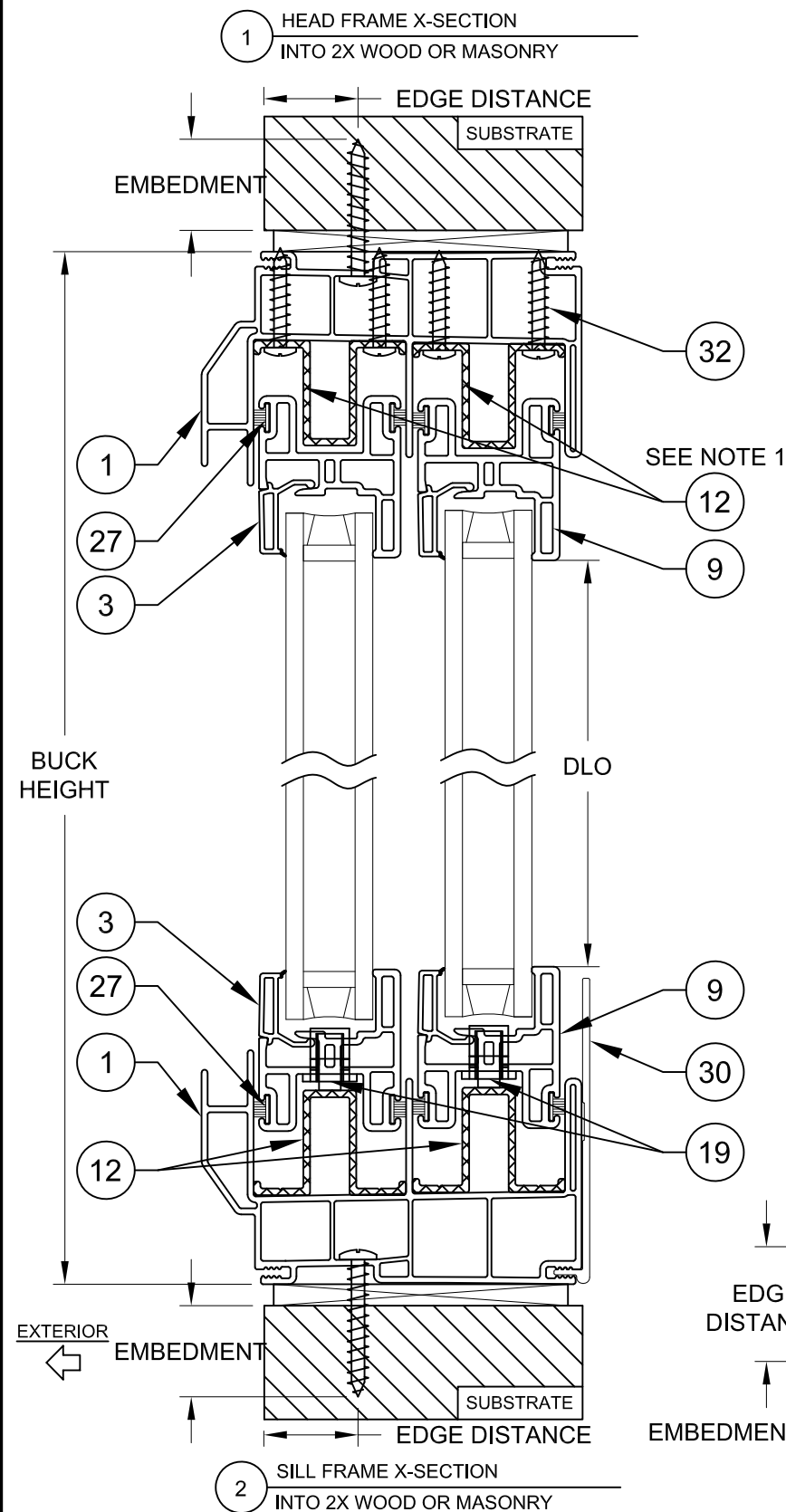
INSTALLATION NOTES:

- 1) SEE SHEET 1 FOR ANCHOR SPACING REQUIREMENTS.
- 2) ANY INSTALLATION OPTION SHOWN (2X BUCK OR WOOD FRAMING, 1X BUCK, DIRECT TO MASONRY, STEEL STUD) MAY BE USED ON ANY SIDE OF THE WINDOW.
- 3) USE ONLY SUBSTRATE APPROPRIATE ANCHORS LISTED IN ANCHOR TABLE 3. FOLLOW EMBEDMENT AND EDGE DISTANCE LIMITS. MAXIMUM SHIM THICKNESS TO BE 1/4".

- 1) ANCHOR MUST EXTEND A MINIMUM OF 3 THREADS BEYOND ANY METAL SUBSTRATE.
- 2) "UNGROUTED CMU" VALUES MAY BE USED FOR GROUTED CMU APPLICATIONS.
- 3) ALL ANCHOR HEAD TYPES ARE APPLICABLE.

NOTE:

- 1) ITEM #12, ANTI-LIFT BLOCKS ARE 32" LONG @ HEAD. SEE ANTI-LIFT BLOCK ATTACHMENT DETAIL BELOW.



A. LYNN MILLER, P.E., P.E.# 58705

REGISTRATION #29296

COPYRIGHT © 2021  
NEWSOUTH WINDOW SOLUTIONS  
LIMITED LICENSE TO MAKE  
COPIES FOR PERMITTING

PREPARED BY: A. LYNN MILLER, P.E.  
1070 TECHNOLOGY DR  
N. VENICE, FL 34275  
(941)-480-1600

8000 SERIES HORIZ. ROLLER  
MODELS 8500 & 8500-3, NI

INSTALLATION & ANCHOR TYPES

NEWSOUTH WINDOW SOLUTIONS  
10741 CROSSROADS COMMERCE BLVD.  
TAMPA, FL 33610

BY:

SB

REVISION:

CORRECT SERIES IN TITLE BLOCK,  
ADD 995 SILICONE

DATE:

8/16/23

#:

1

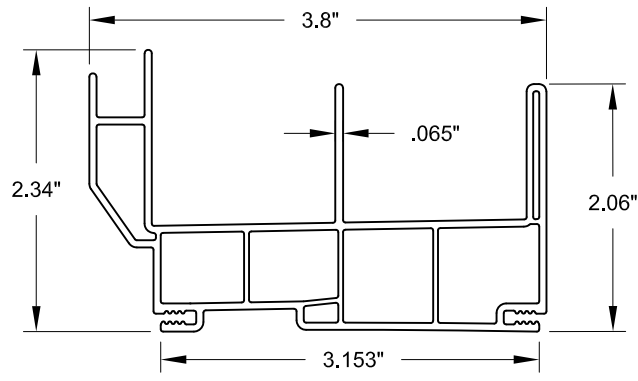
DATE: 12/16/2022

SCALE: NTS

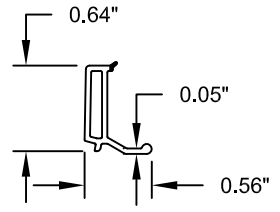
BY: LOGAN YODER

DRAWING #: HR8000-FPA-NI

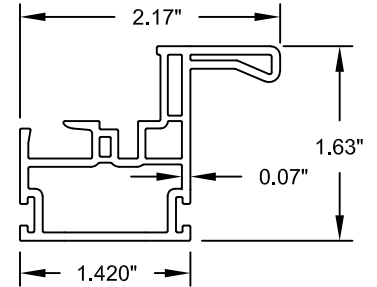
SHEET: 3 OF 5



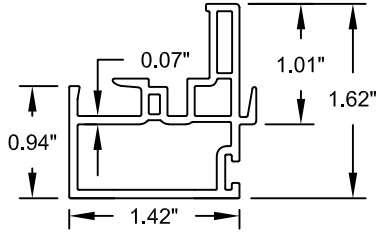
1 FRAME



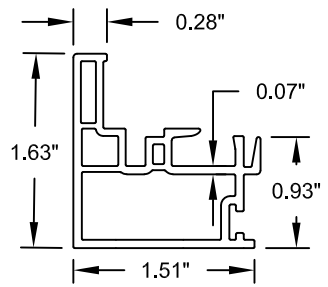
3 GLAZING BEAD



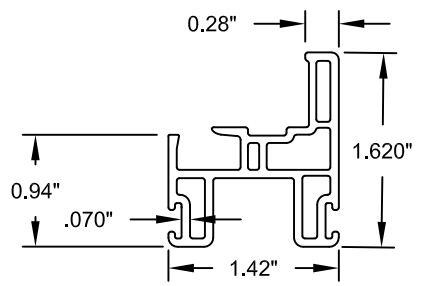
5 HANDLE STILE



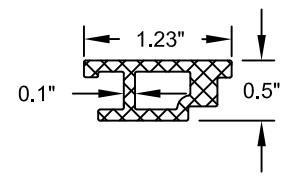
6 KEEPER STILE



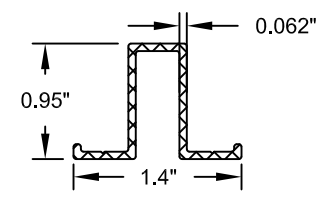
7 LOCK STILE



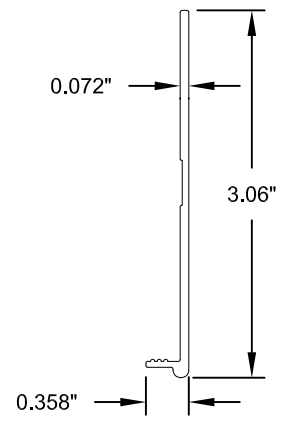
9 RAIL



10 REINFORCEMENT



12 ANTI-LIFT BLOCKS

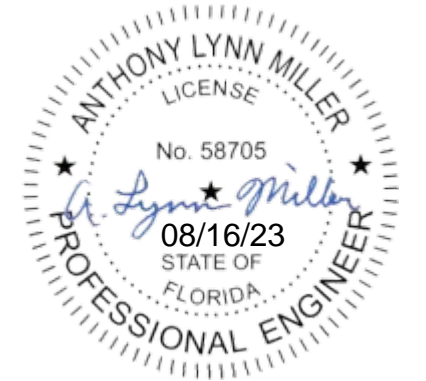


30 SILL RISER

TABLE 4:

BILL OF MATERIALS			
ITEM #	PART #	DESCRIPTION	MATERIAL
1	444F QC	Frame	Rigid PVC
3	425A QC	Glazing Bead	Rigid PVC
5	F-9475	Handle Stile	Rigid PVC
6	F-9493	Keeper Stile	Rigid PVC
7	F-9494	Lock Stile	Rigid PVC
9	F-9478	Rail	Rigid PVC
10	H-2641	Reinforcement	6065-T5
12	S-6162	Anti-Lift Blocks	6065-T5
19		Sash Rollers	-
20		Lock	-
21		Keeper	-
27		Weatherstrip (0.250" Single Fin Pile)	-
28		Weatherstrip (0.350" Single Fin Pile)	-
30	6536	Sill Riser	6065-T5
31		RGS 7700, Sika 552, Dow 791/983/995 Backbedding	Silicone
32		#8 X 1" PPH SMS	
33		Insulated Glass Spacer	

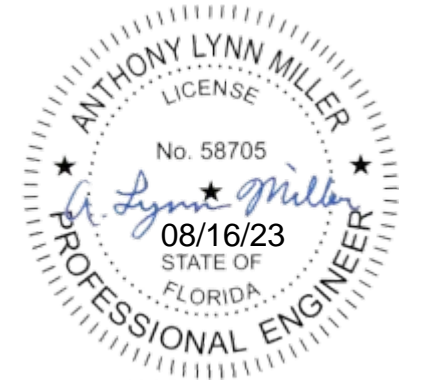
THE APPROVED, RIGID PVC EXTERIOR EXTRUSIONS ARE TO BE PRODUCED BY EXTRUDERS' LICENSEES UNDER "AAMA CERTIFICATION PROGRAMS FOR RIGID PVC EXTRUSIONS".



A. LYNN MILLER, P.E., P.E.# 58705

REGISTRATION #29296 COPYRIGHT © 2021 NEWSOUTH WINDOW SOLUTIONS LIMITED LICENSE TO MAKE COPIES FOR PERMITTING	8000 SERIES HORIZ. ROLLER MODELS 8500 & 8500-3, NI	
	EXTRUSIONS & BOM	
PREPARED BY: A. LYNN MILLER, P.E. 1070 TECHNOLOGY DR N. VENICE, FL 34275 (941)-480-1600	BY:	SB
	REVISION:	CORRECT SERIES IN TITLE BLOCK, ADD 995 SILICONE
DATE:	8/16/23	
#:	1	
DATE: 12/16/2022		
SCALE: NTS		
BY: LOGAN YODER		
DRAWING #: HR8000-FPA-NI		
SHEET: 4 OF 5		

NEWSOUTH WINDOW SOLUTIONS  
10741 CROSSROADS COMMERCE BLVD.  
TAMPA, FL 33610



A. LYNN MILLER, P.E., P.E.# 58705

REGISTRATION #29296

COPYRIGHT © 2021  
NEWSOUTH WINDOW SOLUTIONS  
LIMITED LICENSE TO MAKE  
COPIES FOR PERMITTING

PREPARED BY: A. LYNN MILLER, P.E.  
1070 TECHNOLOGY DR  
N. VENICE, FL 34275  
(941)-480-1600

8000 SERIES HORIZ. ROLLER  
MODELS 8500 & 8500-3, NI

WOOD BUCK INSTALLATION &  
GLASS TYPES

NEWSOUTH WINDOW SOLUTIONS  
10741 CROSSROADS COMMERCE BLVD.  
TAMPA, FL 33610

REVISION:  
CORRECT SERIES IN TITLE BLOCK,  
ADD 995 SILICONE

DATE:  
8/16/23

#:  
1

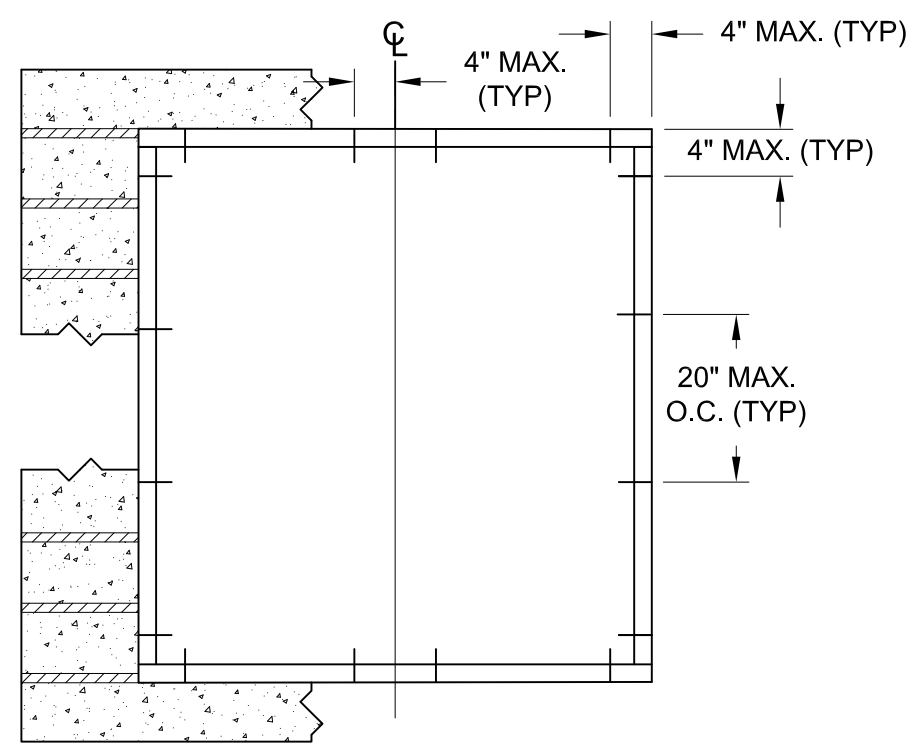
DATE: 12/16/2022

SCALE: NTS

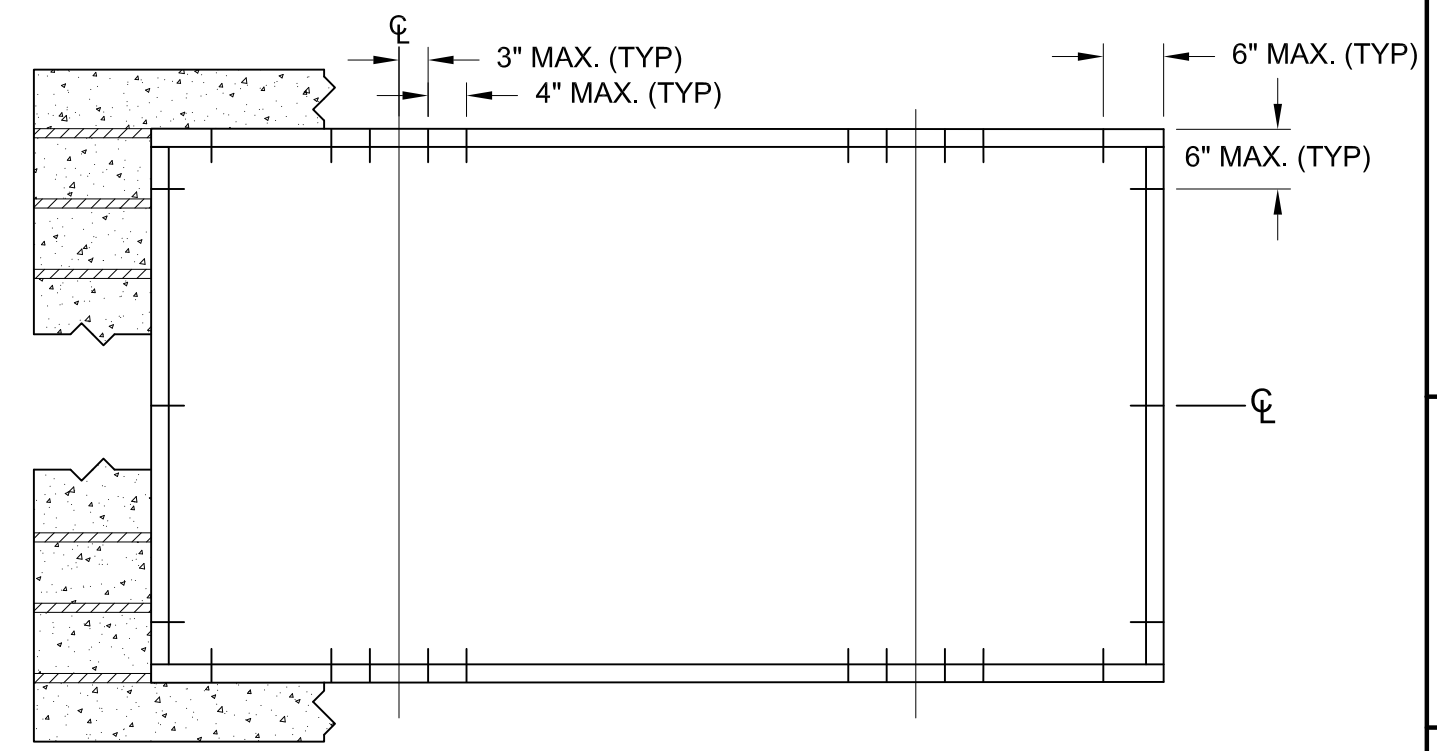
BY: LOGAN YODER

DRAWING # :  
HR8000-FPA-NI

SHEET: 5 OF 5



XX BUCK ANCHORAGE DETAIL



XOX BUCK ANCHORAGE DETAIL

TABLE 5:

Anchor	Substrate	Minimum Edge Distance	Minimum Embedment
1/4" Steel Ultracon+	Concrete (min. 3.0 ksi)	1"	1-3/8"
	UngROUTED CMU, (ASTM C-90)	1"	1-1/4"

- 1) "UNGROUTED CMU" VALUES MAY BE USED FOR GROUTED CMU APPLICATIONS.
- 2) ALL ANCHOR HEAD TYPES ARE APPLICABLE.

